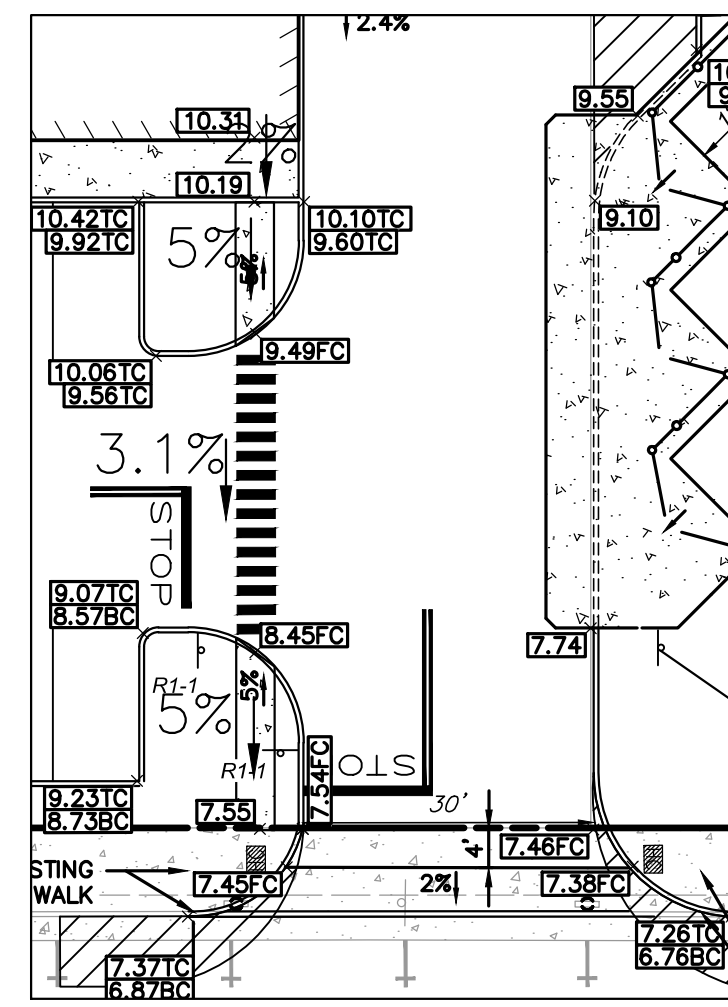
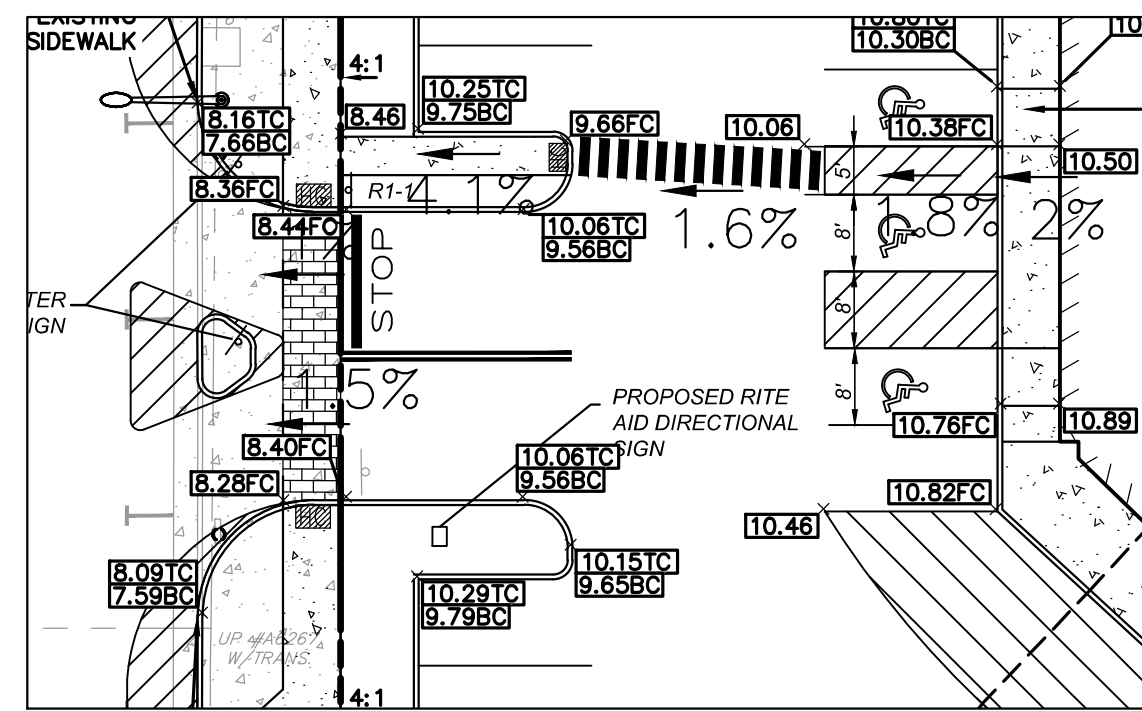


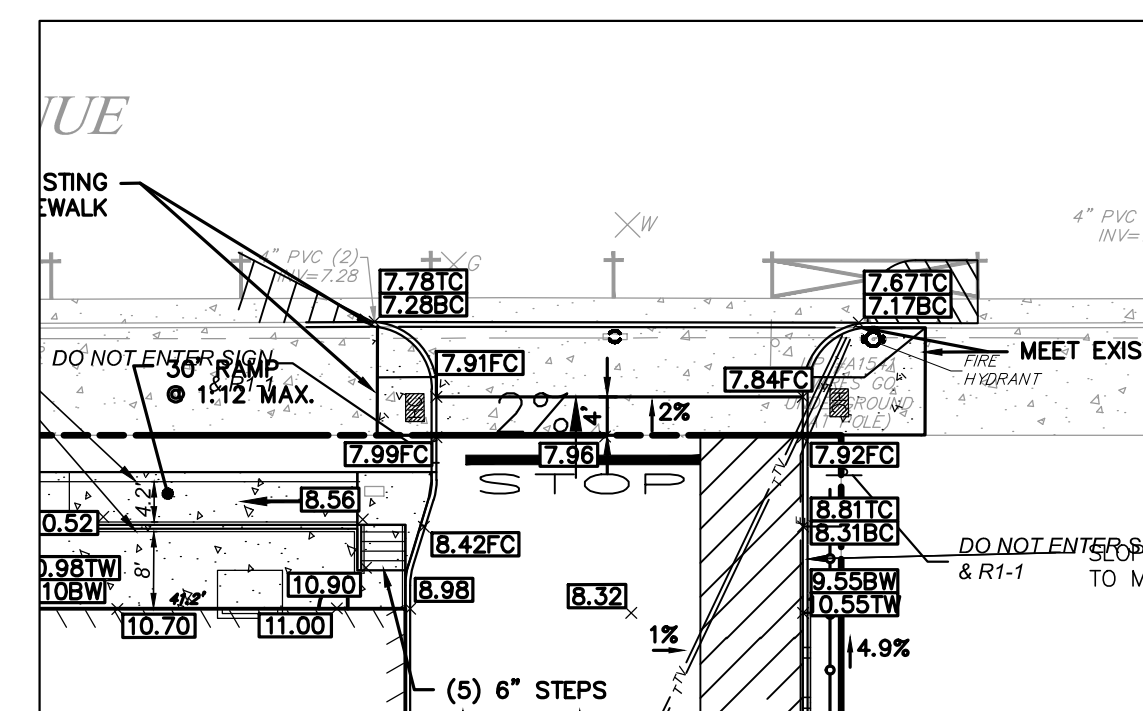
DETAILED BUILDING ENTRANCE GRADING WITH ACCESSIBLE PARKING
Scale 1"=20'



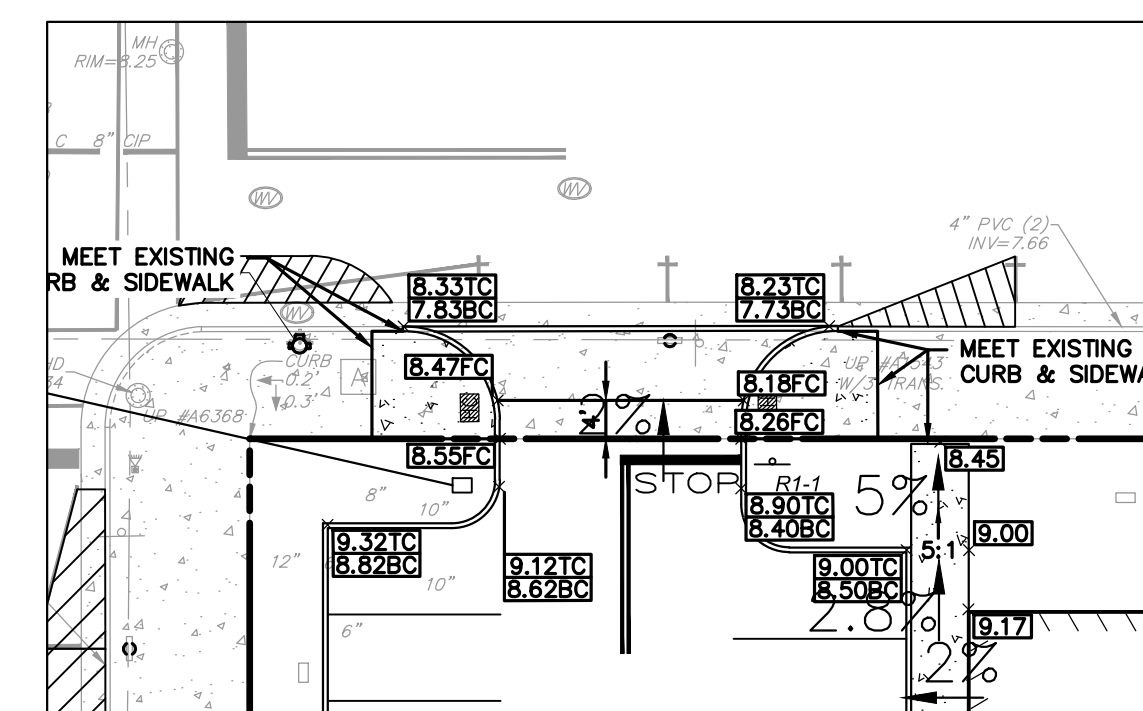
DETAILED S. SOVEREIGN AVE. DRIVEWAY GRADING FOR ADA ACCESSIBILITY
Scale 1"=20'



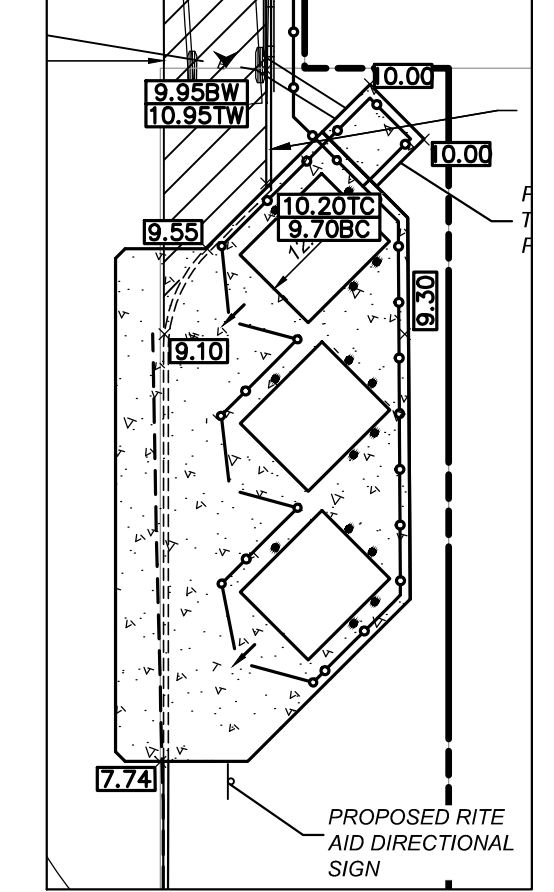
DETAILED ATLANTIC AVE. DRIVEWAY GRADING FOR ADA ACCESSIBILITY
Scale 1"=20'



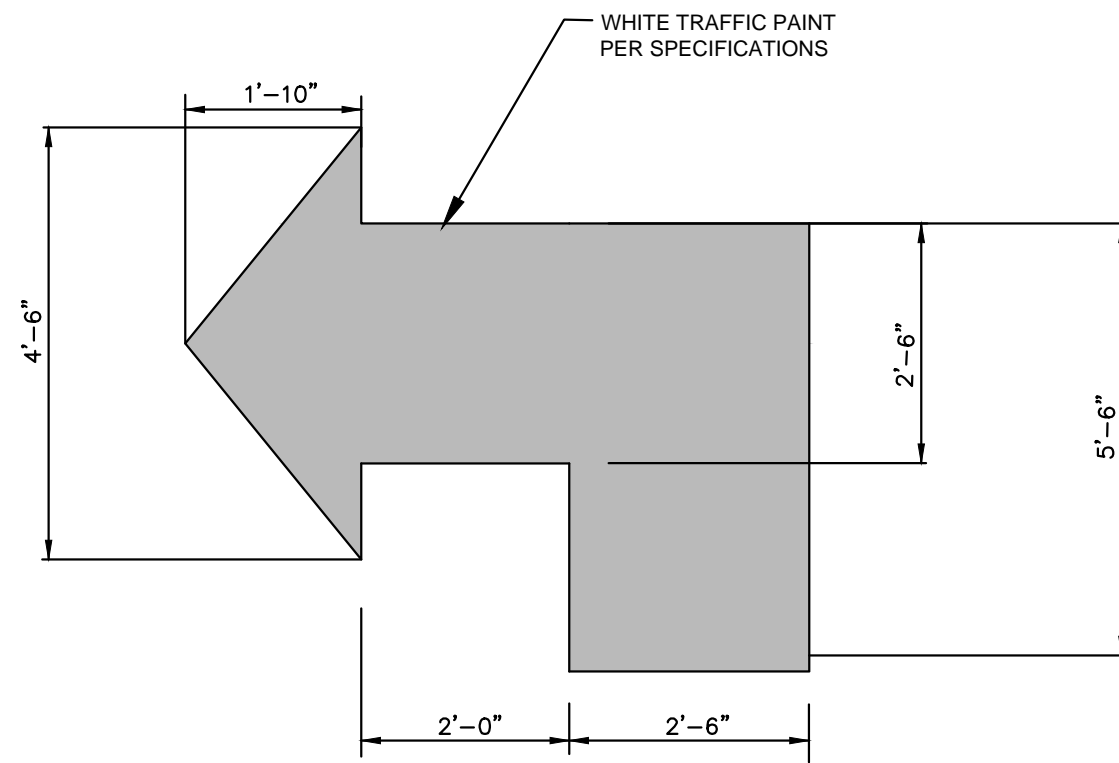
DETAILED S. MONTPELIER AVE. (NORTHERN) DRIVEWAY GRADING FOR ADA ACCESSIBILITY
Scale 1"=20'



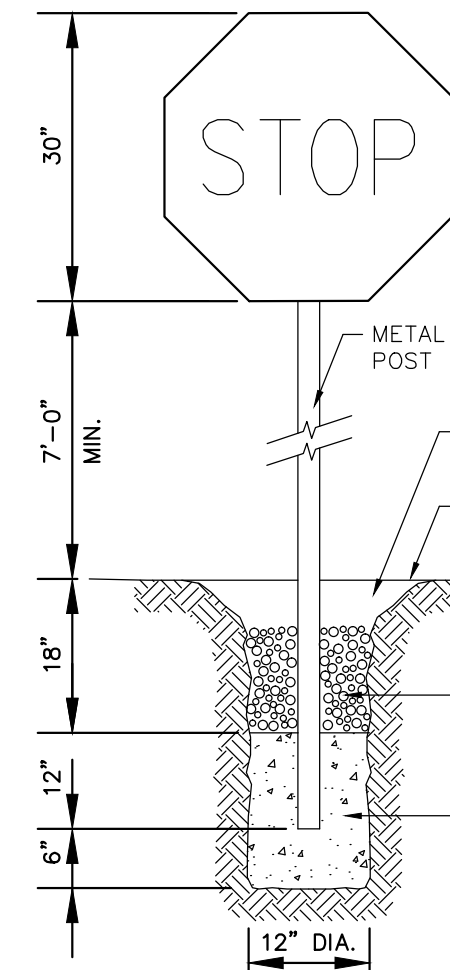
DETAILED S. MONTPELIER AVE. (SOUTHERN) DRIVEWAY GRADING FOR ADA ACCESSIBILITY
Scale 1"=20'



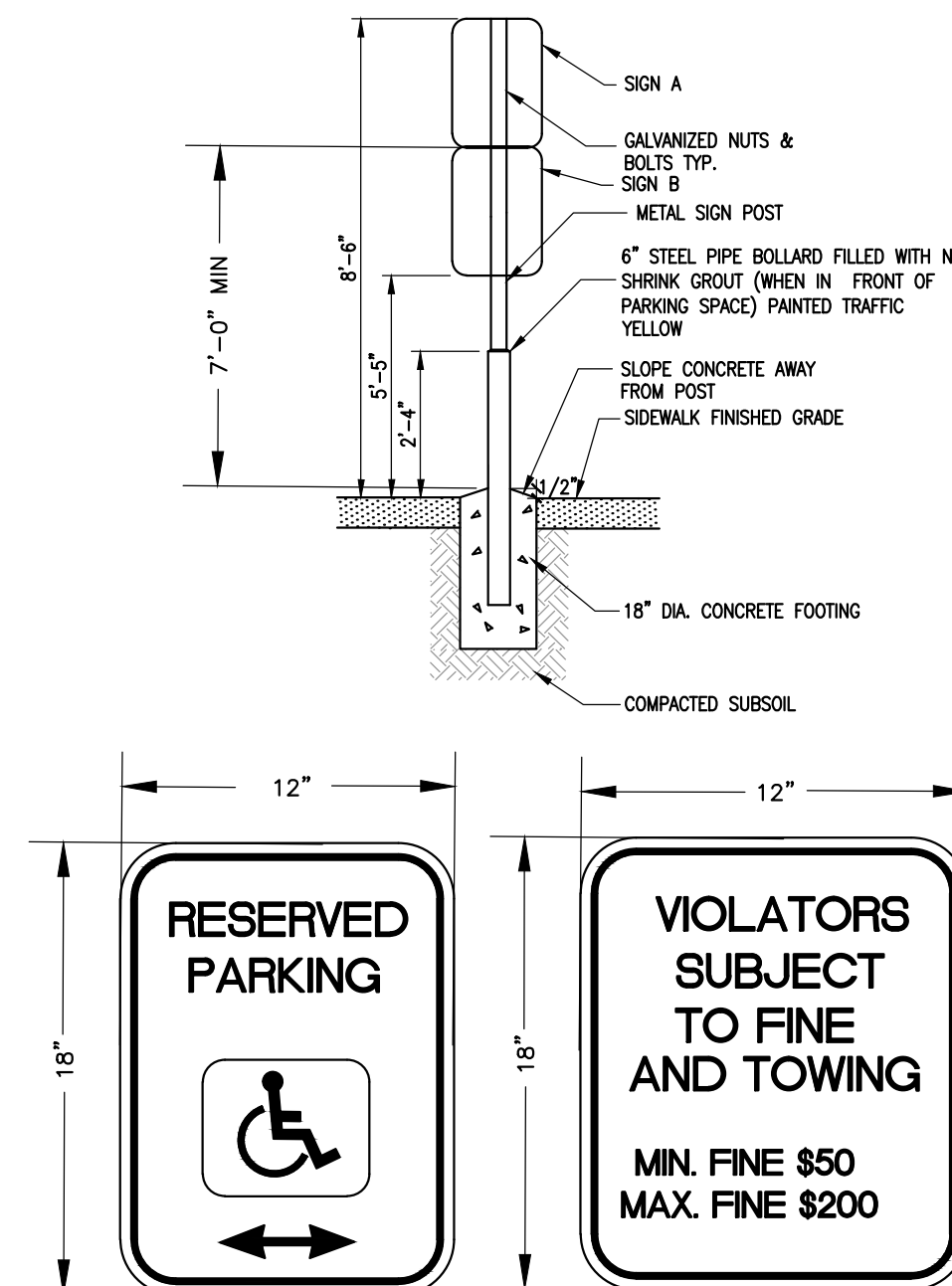
TRASH ENCLOSURE PLAN
Scale 1"=20'



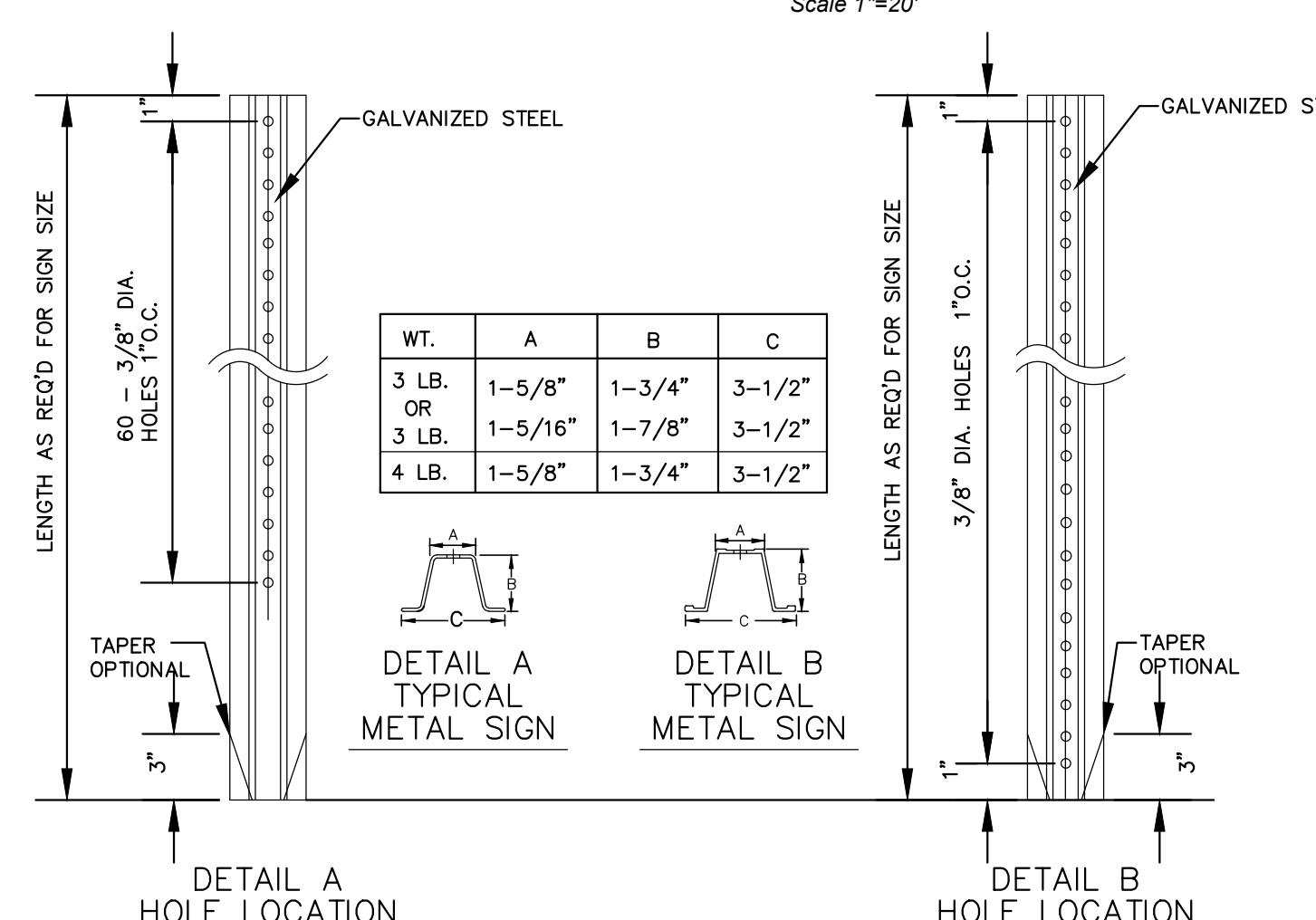
PAINTED TRAFFIC ARROW DETAIL



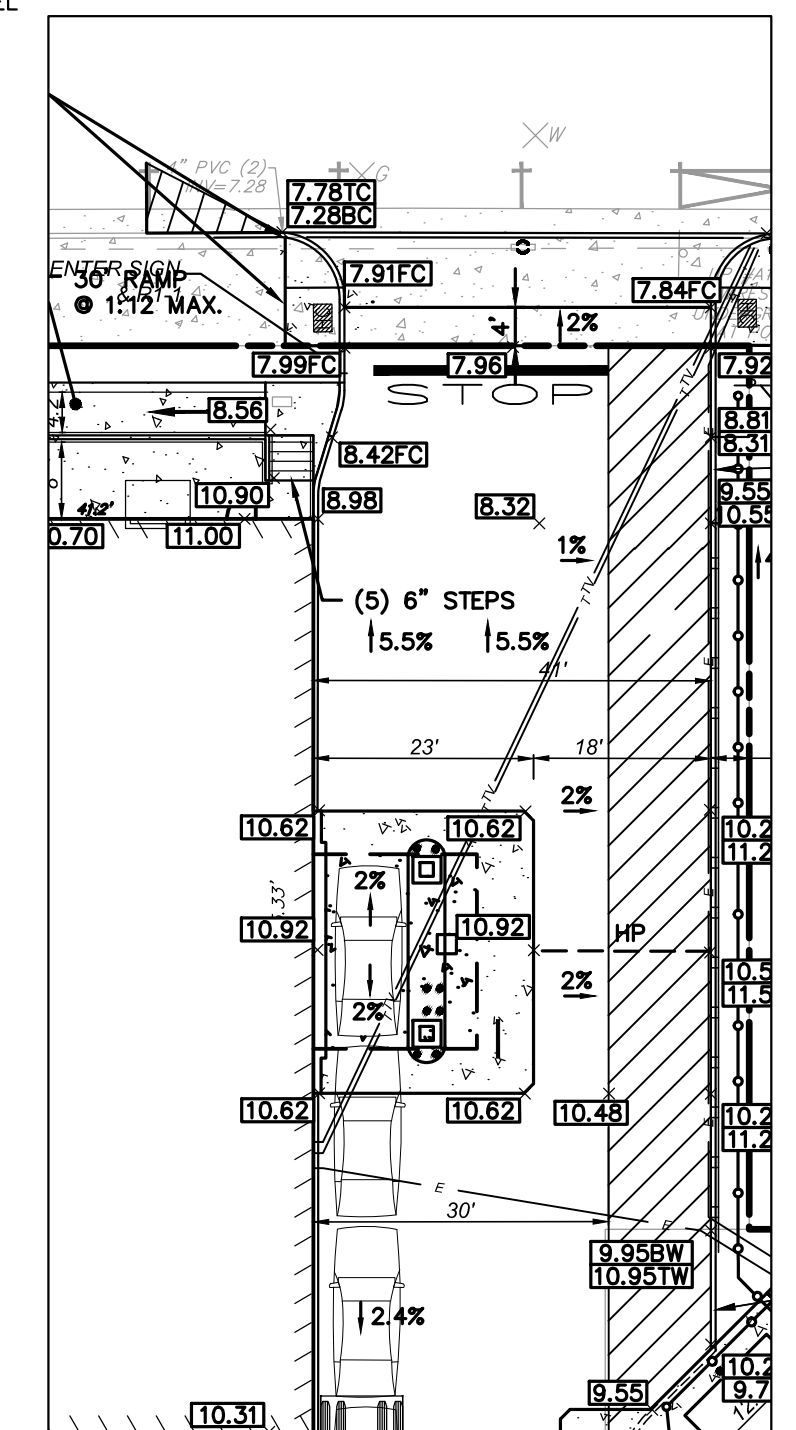
STOP SIGN



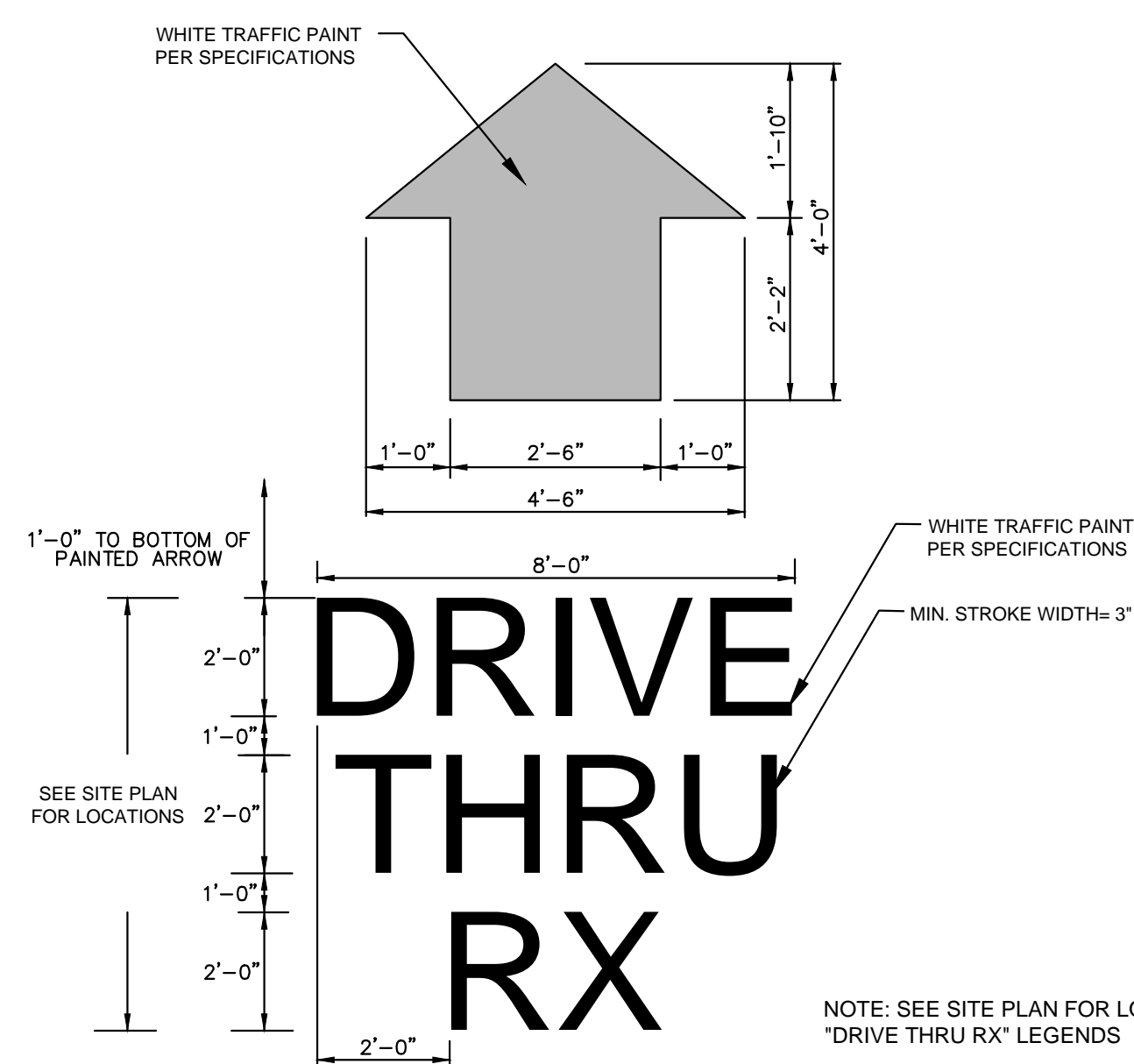
HANDICAPPED PARKING SIGNAGE DETAIL



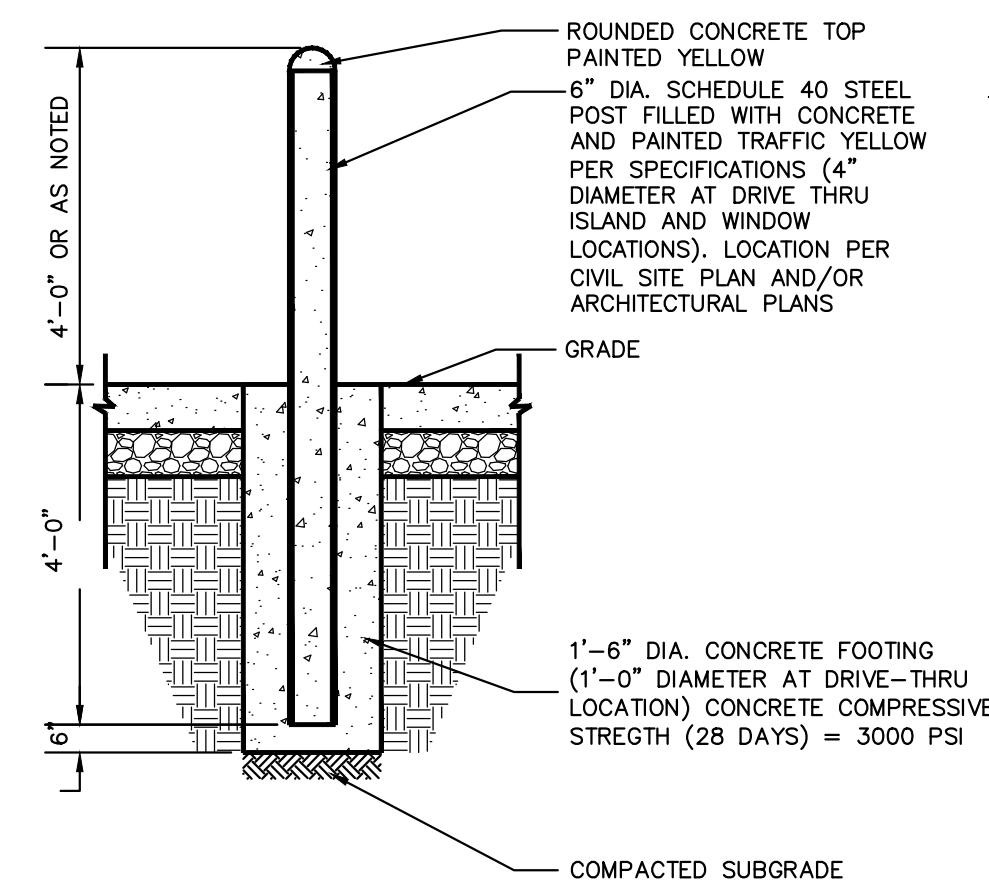
TYPICAL METAL SIGN POST



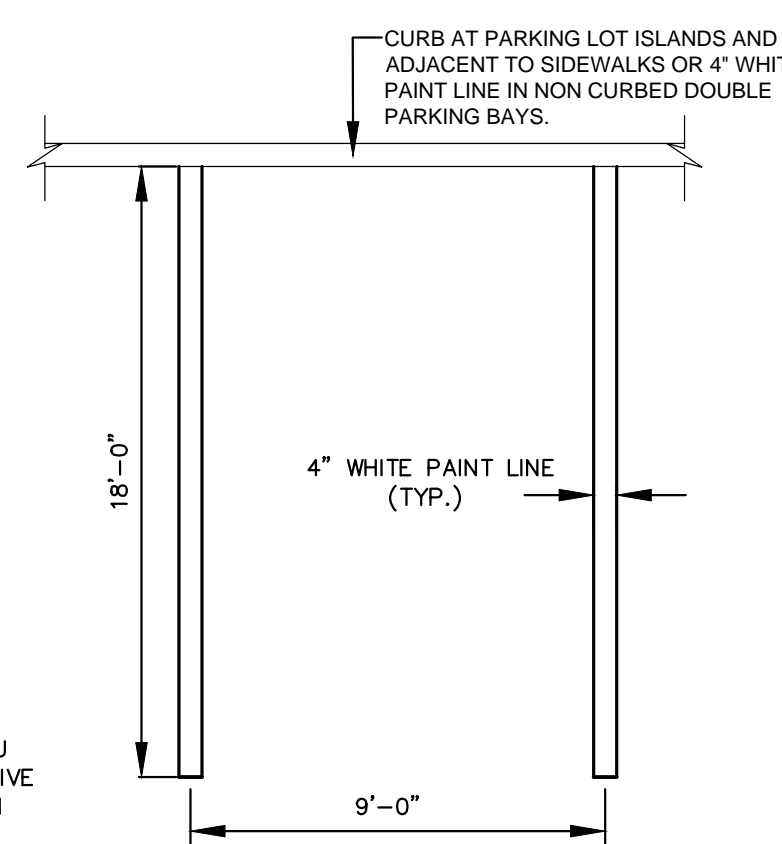
DETAILED LOADING DOCK LAYOUT AND GRADING
Scale 1"=20'



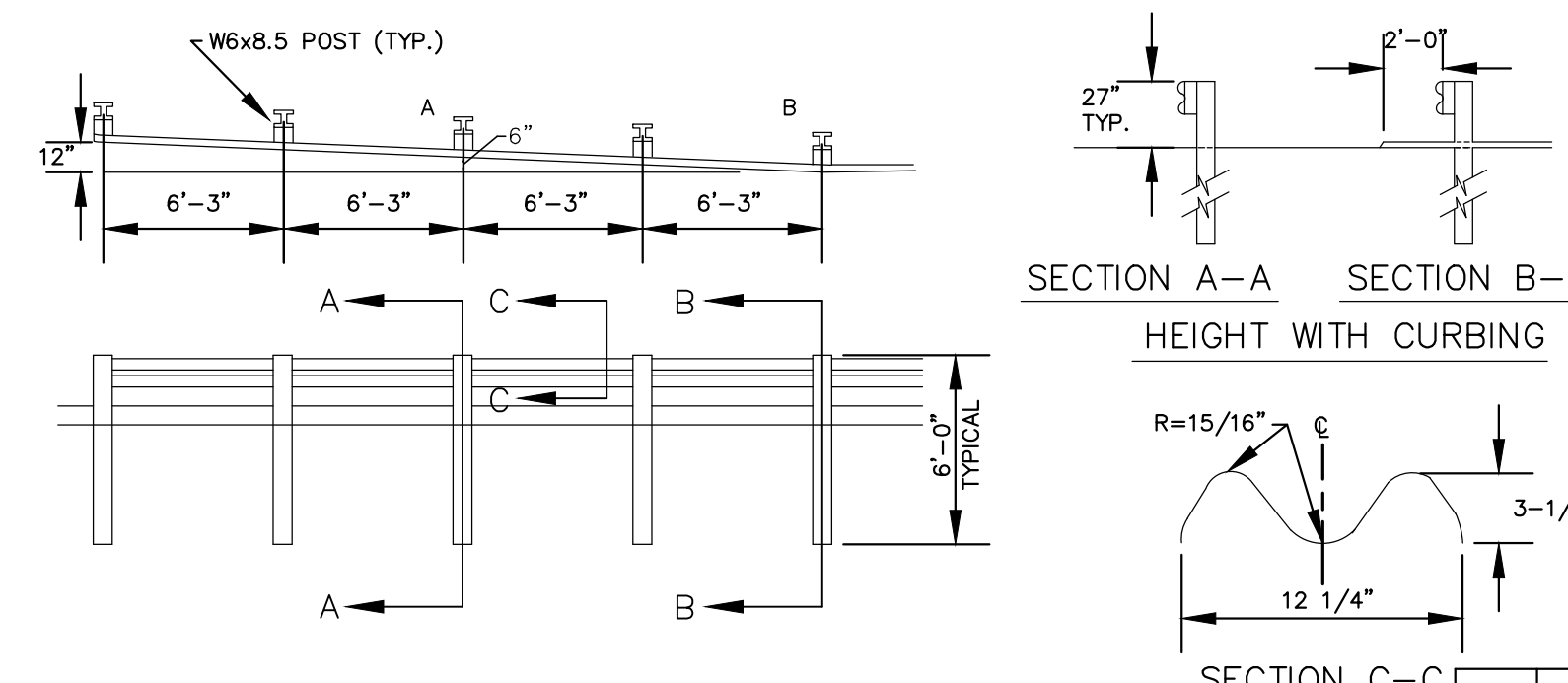
PAINTED TRAFFIC ARROW AND LEGEND DETAIL



BOLLARD DETAIL



TYPICAL PARKING SPACE DETAIL



METAL BEAM GUIDERAIL

No.	REVISION	DATE	BY

PETER J. DOLCY
PROFESSIONAL ENGINEER
NEW JERSEY LICENSE No.30331

DUFFY • DOLCY • McMANUS & ROESCH
634 Lost Pine Way, Galloway, N.J. 08205 Phone: (609) 652-0105 Fax: (609) 652-2032

ENGINEERING DETAILS 1
RITE AID CORPORATION #3422
Block 183 Lots 1-8 and 20-28
CITY OF ATLANTIC CITY
County of Atlantic State of New Jersey
Scale: 1"=20' Proj: 9822 Date: 6-15-15 Dwg. 8 of 12
Dwn. By: SAD Chk. By: PJD Fd. Bk. File No.