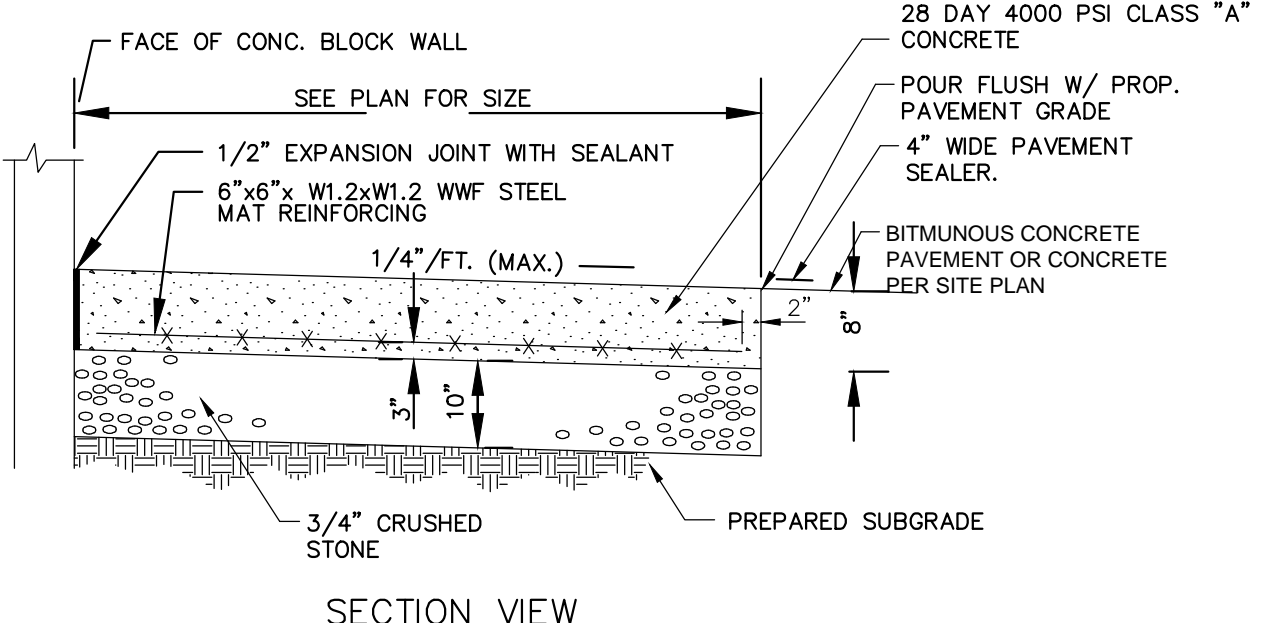
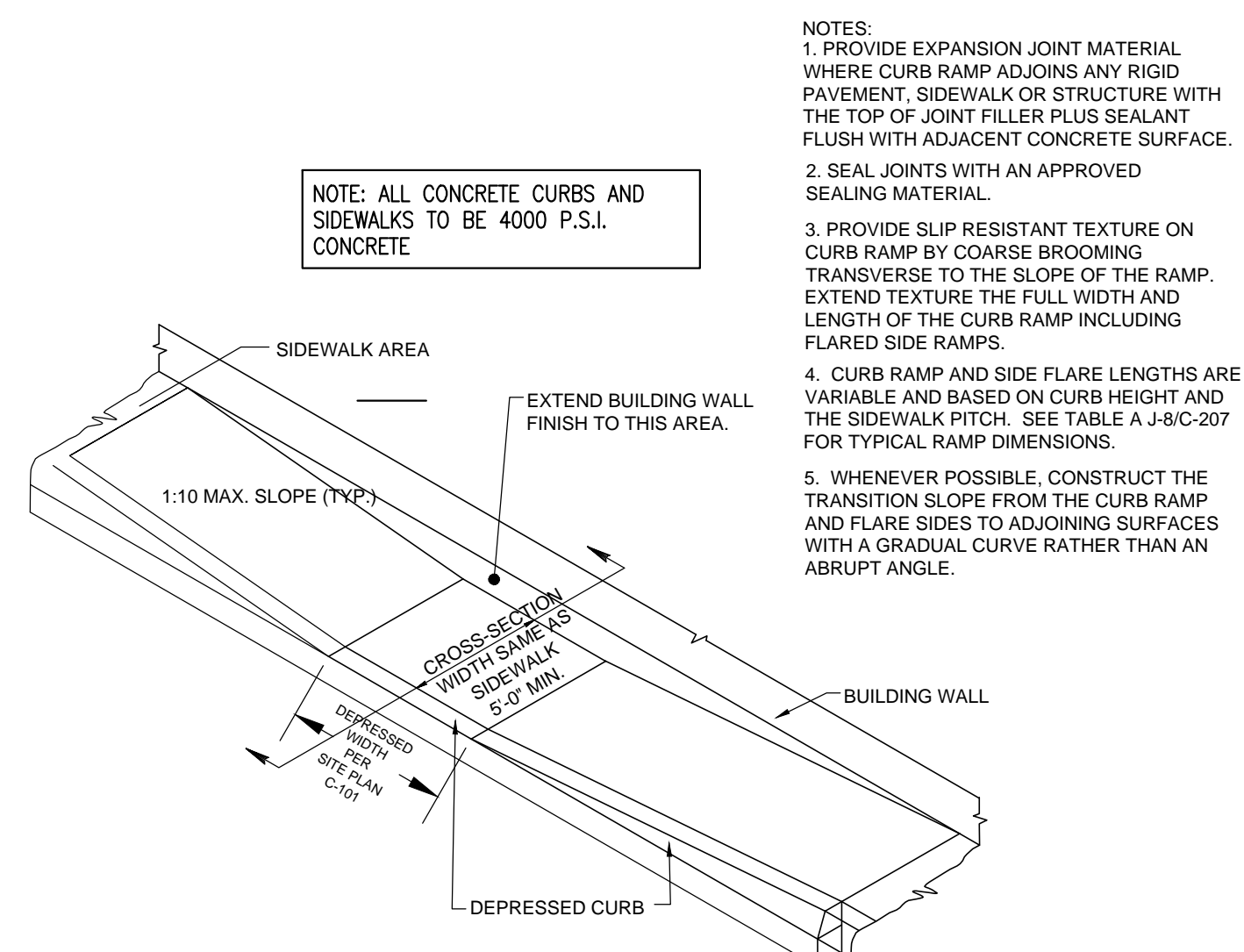


CONCRETE SIDEWALK DETAIL



DUMPSTER PAD & CONC. PAVEMENT

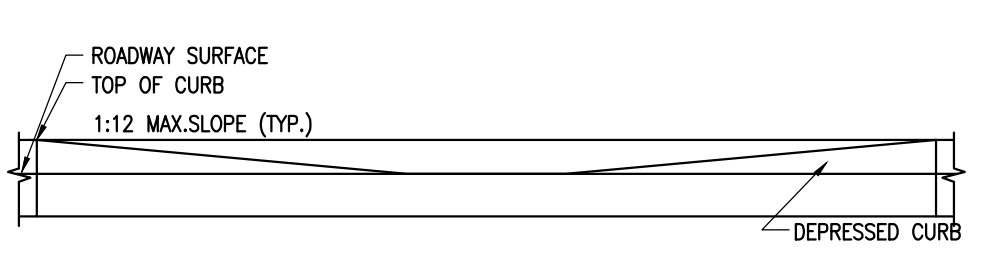


CURB RAMP DETAIL AND RAMP SCHEDULE

CURB RAMP DIMENSIONS NEW CONSTRUCTION				
* RISE OF RAMP	MAX. RAMP SLOPE	NOMINAL RAMP LENGTH (1:12)	SIDE FLARE DIMENSION AT CURB (1:10)	SIDE FLARE DIMENSION AT CURB (1:12)
3"	1:12	3.0 FT.	2.5 FT.	3.0 FT.
4"	1:12	4.0 FT.	3.3 FT.	4.0 FT.
5"	1:12	5.0 FT.	4.2 FT.	5.0 FT.
6"	1:12	6.0 FT.	5.0 FT.	6.0 FT.
7"	1:12	7.0 FT.	5.8 FT.	7.0 FT.
8"	1:12	8.0 FT.	6.7 FT.	8.0 FT.
9"	1:12	9.0 FT.	7.5 FT.	9.0 FT.
10"	1:12	10.0 FT.	8.4 FT.	10.0 FT.
11"	1:12	11.0 FT.	9.2 FT.	11.0 FT.
12"	1:12	12.0 FT.	10.0 FT.	12.0 FT.

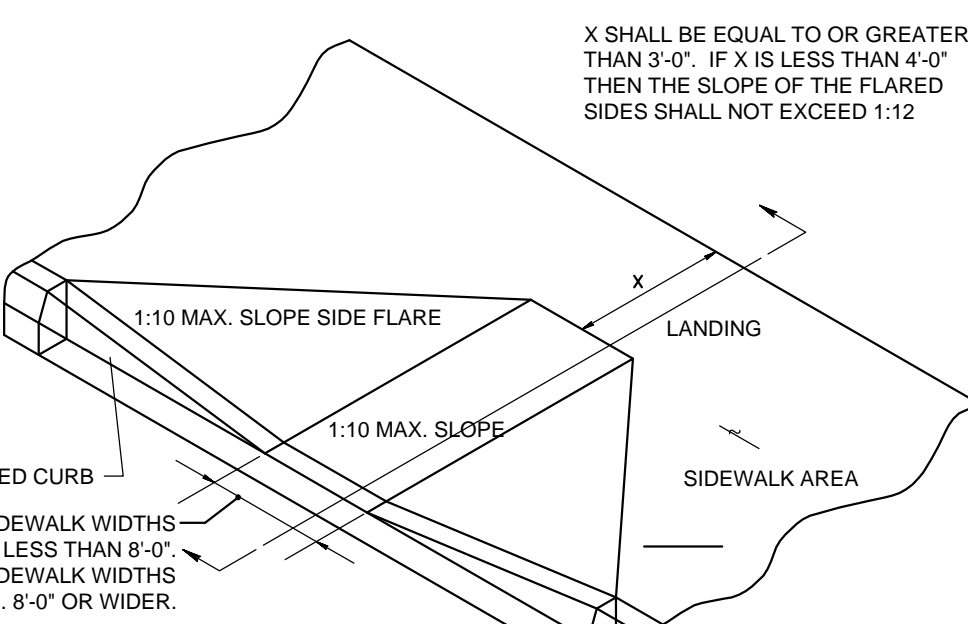
CURB RAMP DIMENSIONS EXISTING CONDITION *				
* MAX. RISE OF RAMP	MAX. RAMP SLOPE	NOMINAL RAMP LENGTH	SIDE FLARE DIMENSION AT CURB (1:10)	SIDE FLARE DIMENSION AT CURB (1:12)
3"	1:8	2.0 FT.	2.5 FT.	3.0 FT.
4"	1:10	3.3 FT.	3.3 FT.	4.0 FT.
5"	1:10	4.2 FT.	4.2 FT.	5.0 FT.
6"	1:10	5.0 FT.	5.0 FT.	6.0 FT.

TABLE A



CURB RAMP ELEVATION

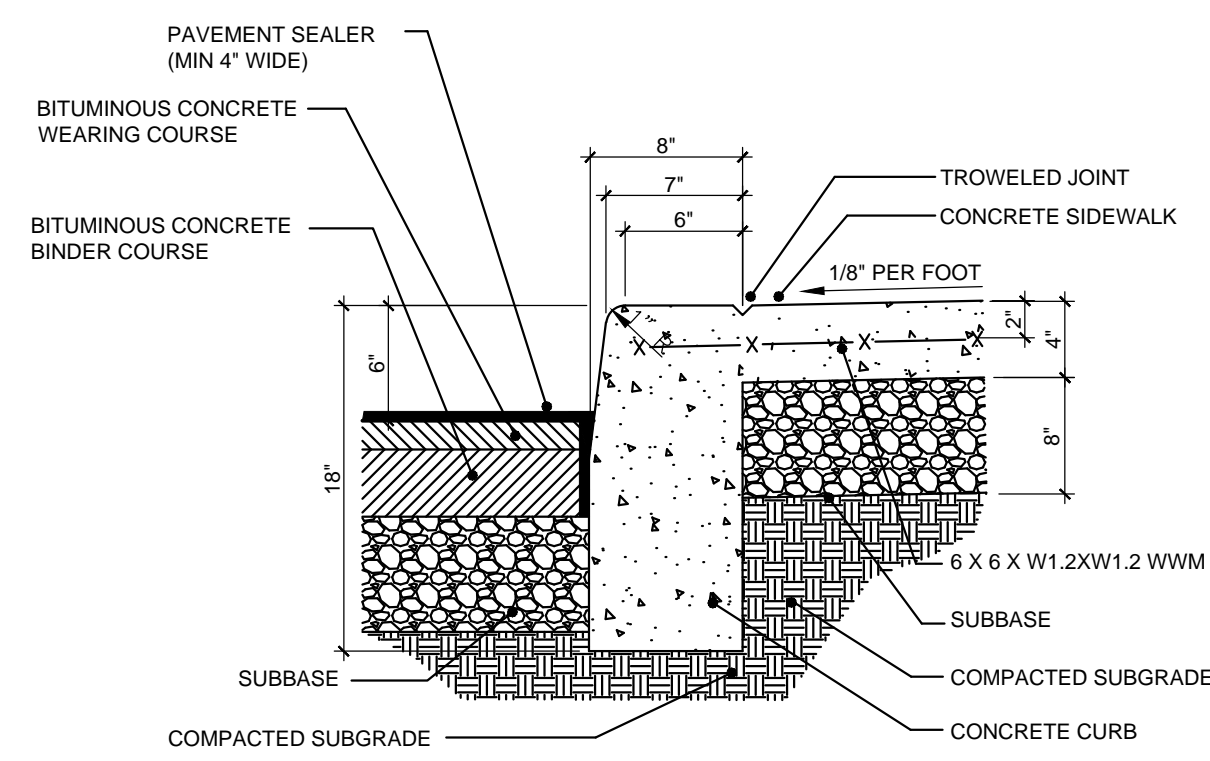
NOTE: RAMP FINISH TO BE SLIP RESISTANT TEXTURE BY COURSE BROOMING TRANSVERSE TO THE SLOPE OF THE RAMP. EXTEND TEXTURE THE FULL WIDTH AND LENGTH OF THE CURB RAMP INCLUDING FLARED SIDE RAMPS.



CURB RAMP DETAIL

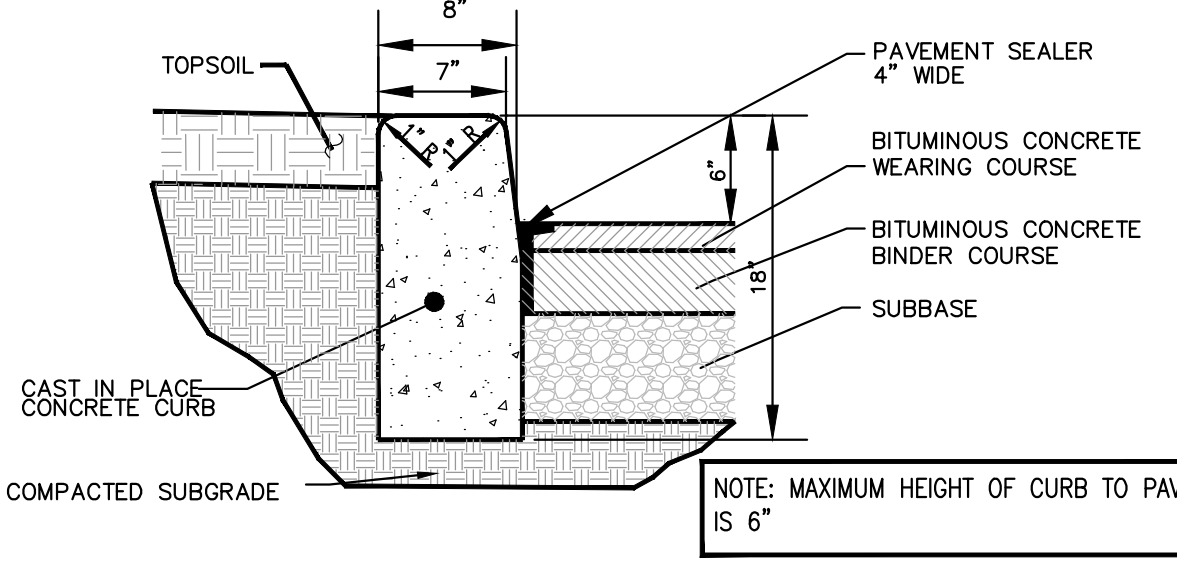
NOTE: ALL CONCRETE CURBS AND SIDEWALKS TO BE 4000 P.S.I. CONCRETE

NOTE: ALL CONCRETE CURBS AND SIDEWALKS TO BE F'C 4000 P.S.I. CONCRETE AT 28 DAYS
CURB EXPANSION JOINTS TO MATCH SIDEWALK EXPANSION JOINT SPACING

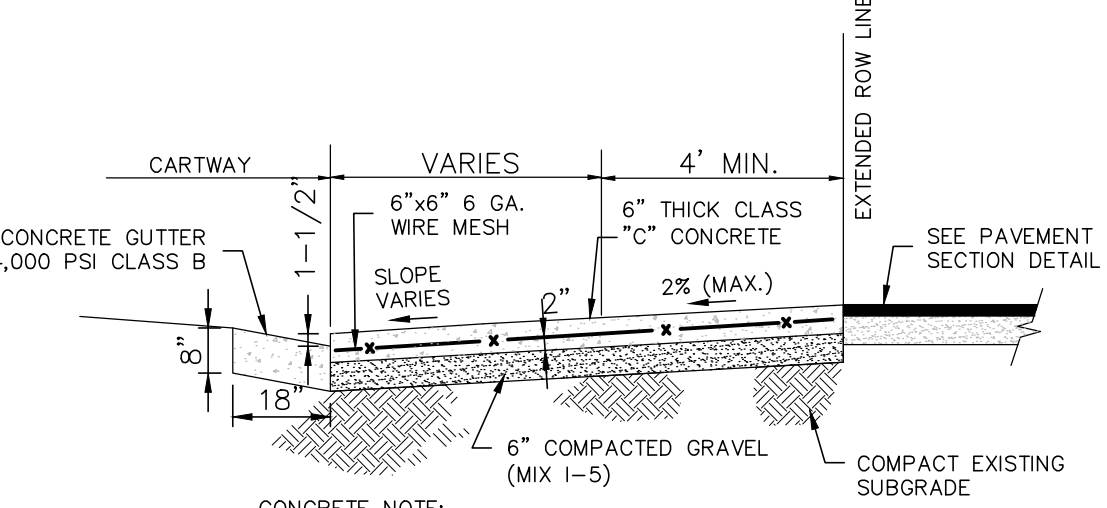


CURB DETAIL WITH MONOLITHIC SIDEWALK ONSITE

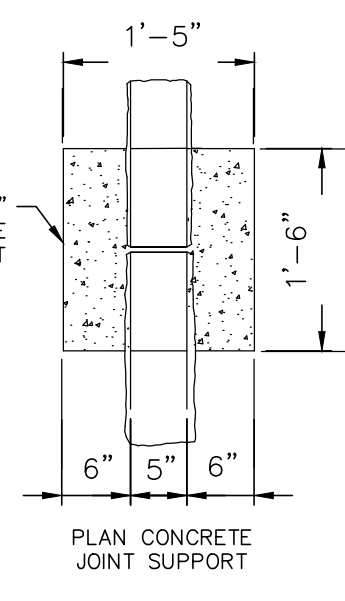
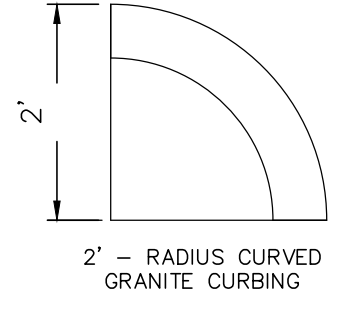
NOTE: ALL CONCRETE CURBS AND SIDEWALKS TO BE F'C 4000 P.S.I. CONCRETE AT 28 DAYS
CURB EXPANSION JOINT SPACING IS 10'-0" MAXIMUM. FILL WITH 1/2" PREFORMED EXPANSION JOINT RECESSED 1/2" INCH BELOW TOP OF CURB



CURB DETAIL - ON SITE



DRIVEWAY APRON DETAIL (ATLANTIC CITY)



- NOTES:
1. THE GRANITE CURB SHALL HAVE A MUNSSELL LIGHT REFLECTIVE VALUE OF AT LEAST 8 ON THE MUNSSELL SCALE.
2. TOP FACE SHALL BE GANG SAWED FINISH TO PRESENT A NON-SLIP WALKING SURFACE.
3. THE FRONT VERTICAL FACE (STREET SIDE) SHALL BE ROTARY OR GANG SAWED FINISH.

GRANITE RAMP DETAIL (ATLANTIC CITY)



No.	REVISION	DATE	BY

PETER J. DOLCY
PROFESSIONAL ENGINEER
NEW JERSEY LICENSE No.30331

Peter J. Dolcy

DUFFY • DOLCY • McMANUS & ROESCH

634 Lost Pine Way, Galloway, N.J. 08205 Phone: (609) 652-0105 Fax: (609) 652-2032

ENGINEERING DETAILS III
RITE AID CORPORATION #3422

Block 183 Lots 1-8 and 20-28
CITY OF ATLANTIC CITY

Scale: 1"=20'	Proj: 9822	Date: 6-15-15	Dwg. 10 of 12
Dwn. By: SAD	Chk. By: PJD	Fd. Bk.	File No.

NOTE: THIS DRAWING IS NOT VALID UNLESS A RAISED SEAL IS AFFIXED HERETO.

© DUFFY, DOLCY, McMANUS & ROESCH 2013

\\Server\acad_files\projects\9822\WORKING CAD FILES\9822_8_DETAIL.DWG