

**GENERAL NOTES:**

- WORK SHALL CONFORM TO THE FOLLOWING CODES AND STANDARDS:
  - AMERICAN WELDING SOCIETY SPECIFICATIONS
  - NATIONAL FIRE PROTECTION ASSOCIATION (NFPA)
  - NATIONAL ELECTRICAL MANUFACTURER'S ASSOCIATION (NEMA)
  - NATIONAL ELECTRICAL CODE (NEC)
  - UNDERWRITERS LABORATORIES (UL)
- DIMENSIONS ON THESE PLANS ARE BASED UPON DESIGN DOCUMENTS AND INDUSTRY EQUIPMENT. THE CONTRACTOR SHALL COORDINATE ALL DIMENSIONS AND CHANGES DUE TO CONSTRUCTION ISSUES AND EQUIPMENT SELECTION. THE CONTRACTOR SHALL FIELD VERIFY ALL DIMENSIONS SHOWN ON THE PLANS.
- ALL ELECTRICAL EQUIPMENT AND MATERIALS TO BE FURNISHED BY THE CONTRACTOR SHALL BE NEW.
- MODEL NUMBERS AND DETAILS OF NEMA CONTACTORS, RELAYS, CIRCUIT BREAKERS, AND OTHER ELECTRICAL COMPONENTS ARE BASED UPON MANUFACTURER'S CATALOG DATA AVAILABLE AT THE TIME THE CONTRACT DRAWINGS WERE PREPARED. MODELS OF OTHER EQUALLY REPUTABLE MANUFACTURERS MAY BE SUBSTITUTED BY THE CONTRACTOR PROVIDED THAT THE EQUIVALENCY OF THE SUBSTITUTED MODEL IS DEMONSTRATED TO THE SATISFACTION AND APPROVAL OF THE ENGINEER. IT SHALL BE THE RESPONSIBILITY OF THE CONTRACTOR TO REVISE ALL APPLICABLE DETAILS THAT ARE AFFECTED BY THE APPROVED SUBSTITUTION.
- THE LOCATION OF CONDUITS, CABLES, AND OTHER EQUIPMENT SHOWN ON THE PLANS ARE DIAGRAMMATIC ONLY. THE CONTRACTOR SHALL DETERMINE THEIR EXACT LOCATIONS, FIELD LOCATE THE EQUIPMENT AND SUBMIT LOCATIONS TO THE ENGINEER FOR APPROVAL.
- CONDUITS SHALL BE HOT DIPPED RIGID GALVANIZED STEEL (RMC) IN ACCORDANCE WITH THE SPECIFICATIONS UNLESS CALLED OUT SPECIFICALLY AS FLEXIBLE METALLIC CONDUIT IN ACCORDANCE WITH THE SPECIFICATIONS.
- THE COST OF ANCHOR BOLTS AND COUPLINGS SHALL BE INCLUDED IN THE PRICE BID FOR CONCRETE SHEET PILE WALL CAP.
- ADDRESS INSTALLATION OF 1/2" RMC THROUGH SPW AT PYLON LOCATIONS. COST OF SUCH TO BE INCLUDED IN VARIOUS ELECTRICAL PAY ITEMS.
- ALL ELECTRICAL ITEMS TO BE IN ACCORDANCE WITH THE NJDOT STANDARD ELECTRICAL DETAILS.

**NOTES:**

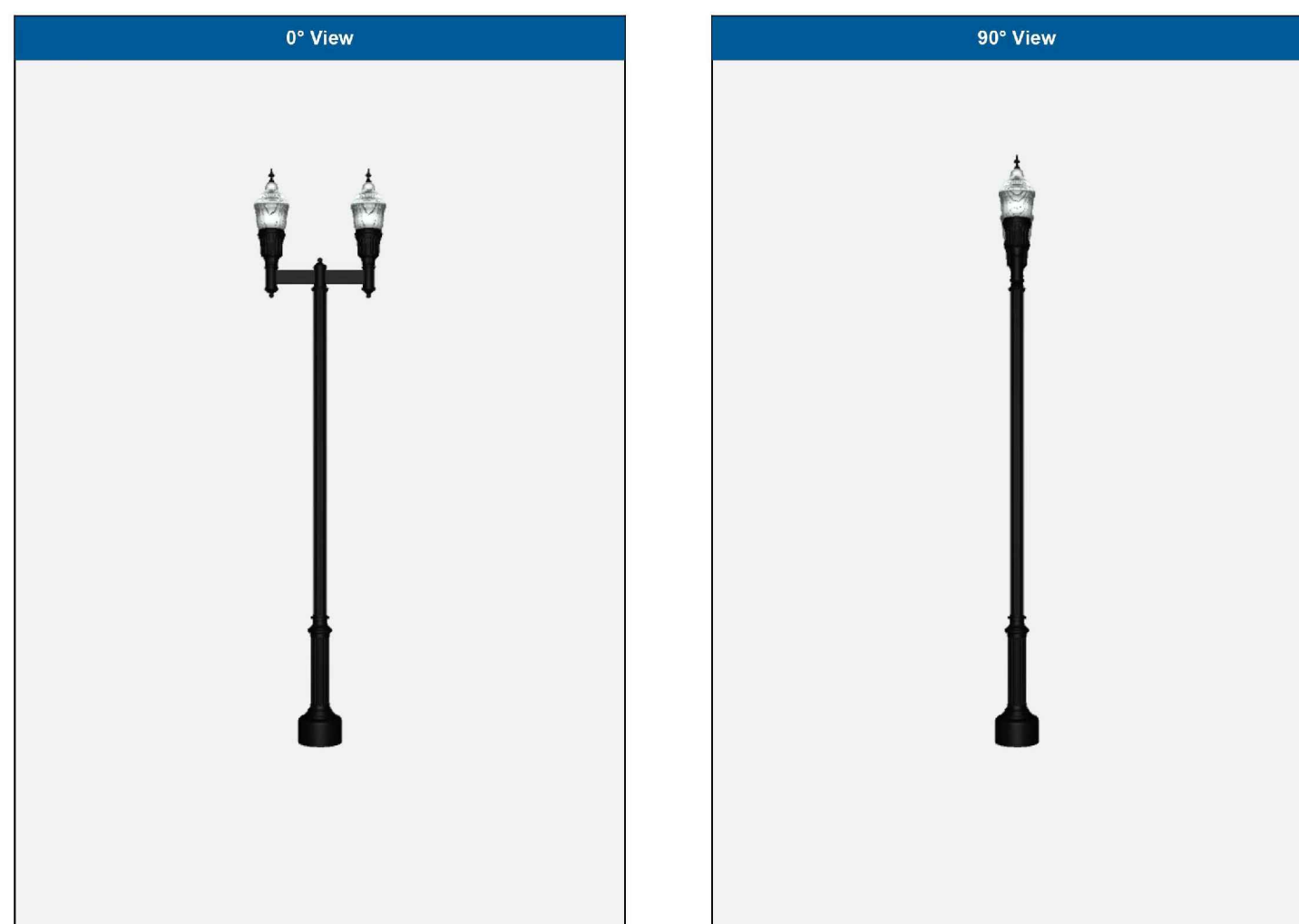
- ATLANTIC CITY ELECTRIC TO ESTABLISH ELECTRICAL SERVICE CONNECTION AT THE SERVICE POLE LOCATION OR UNDERGROUND TRANSFORMER VAULT LOCATION.
- THE CONTRACTOR SHALL COORDINATE WITH ATLANTIC CITY ELECTRIC FOR SERVICE TO THE METER CABINET
- PROVIDE METER CABINET WITH CAPABILITY FOR THE ADDITION OF FUTURE CIRCUITS.
- L(57W) IS A DECORATIVE LED LUMINAIRE MANUFACTURED BY HOLOPHANE LIGHTING, "GRANVILLE SERIES". SEE LEGEND
- LPA(14) IS A 14-FOOT CAST ALUMINUM LIGHTING STANDARD POLE AND BASE MANUFACTURED BY HOLOPHANE LIGHTING. SEE LEGEND.
- GROUND WIRE, 1/C #8 OR 1/C #10 AS SPECIFIED, (COLOR GREEN) AWG SHALL BE INSTALLED CONTINUOUSLY THROUGHOUT THE LIGHTING SYSTEM AND SECURED TO ALL GROUND RODS, CABINETS, AND LUMINAIRE BASES.
- THE CONTRACTOR SHALL PROVIDE POLE RISERS A MINIMUM OF 10' UP POLE WITH THE SERVICE CABLE LENGTH NEEDED TO CONNECT TO THE SERVICE AS REQUIRED BY ATLANTIC CITY ELECTRIC OR DIRECTED BY THE RESIDENT ENGINEER.
- ALL JUNCTION BOX FRAMES AND COVERS SHALL BE GALVANIZED.

**LEGEND:**

BASE	FOUNDATION BASE. REFER TO FOUNDATION BASE DETAIL.
LPA	LIGHT POLE ASSEMBLY. HOLOPHANE "HAMILTON" 14'-0" ALUMINUM POLE, WITH 16" BASE, 6.5" X 6" HANDHOLE, AND BLACK FINISH. CATALOG NO. HLA-14-F5J-16D-C05-ABG-BK.
CB	CROSS BRACKET: HOLOPHANE "PHILADELPHIA" DOUBLE ARM CROSS BRACKET WITH SCROLLS AND BLACK FINISH. CATALOG NO. PCP-18IN-2A-TN-BK-SCROLLS.
L(57W)	LUMINAIRE: HOLOPHANE "GRANVILLE CLASSIC UTILITY LED3 WITH MODERN HOUSING, BLACK FINISH, STANDARD FINIAL, FIELD ADJUSTABLE OUTPUT, PHOTOCELL CONTROL AND 20'-0" PRE-WIRED LEADS. CATALOG NO. GVD3-P30-40K-MVOLT-MS-GL5-BK-ST-TBK-A0-PR7-L20.
L(EX)	LUMINAIRE: EXISTING HOLOPHANE "GRANVILLE CLASSIC UTILITY LED3 WITH MODERN HOUSING, BLACK FINISH, AND STANDARD FINIAL TO BE REUSED ON NEW CROSS BRACKET AND POLES. PROVIDE NEW FIXTURE LEADS AS REQUIRED.

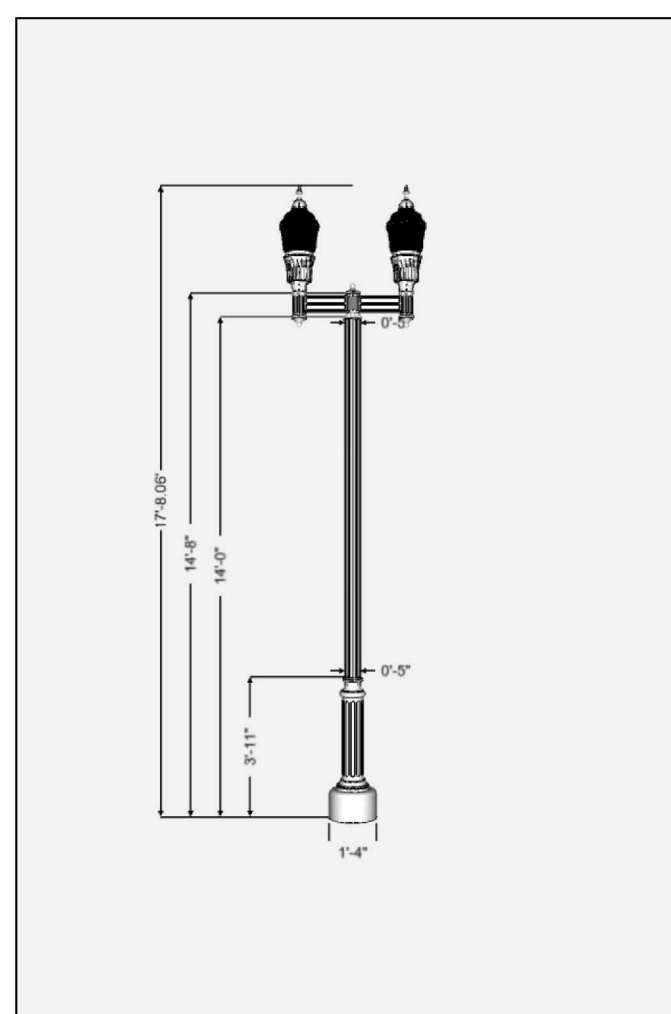


Catalog Number:  
GVD3 P30 40K MVOLT MS GL5 BK ST TBK PR7 AO PCLL L20 PCP 18IN 2A TN BK HLA 14 F5J 16D C05 BK ABG ASSY4480



Luminaire	Arm/Mounting Bracket	Pole
Catalog Number: GVD3 P30 40K MVOLT MS GL5 BK ST TBK PR7 AO PCLL L20 Series: (GVD3) Granville LED Classic Performance Package: (P30) P30 performance package Color Temperature: (40K) 4000K Voltage: (MVOLT) 120-277V Housing: (MS) Modern style, swing open design Optics: (GL5) Glass asymmetric, type V design Finish: (BK) Black	Final/Trim: (ST) Painted cast aluminum standard trim Trim Finish: (TBK) Black trim Photocell Receptacle: (PRT) 3 pin NEMA dimmable photocell receptacle Adjustable Output: (AO) Field adjustable lumen output Photocell: (PCLL) DLL, photocell lead Prewire Leads: (L20) 20' prewire leads	Catalog Number: HLA 14 F5J 16D C05 BK ABG Series: (HLA) Hamilton aluminum pole Pole Height: (14) 14 feet Shaft Style: (F5J) Shaft, 5" diameter fluted, 25-weld Base Diameter: (16D) 16" Base, Diamond Pattern Bolt Circle Pole Top Mounting: (C05) 3 x 5 tenon Finish: (BK) Black

**Assembly Drawing**

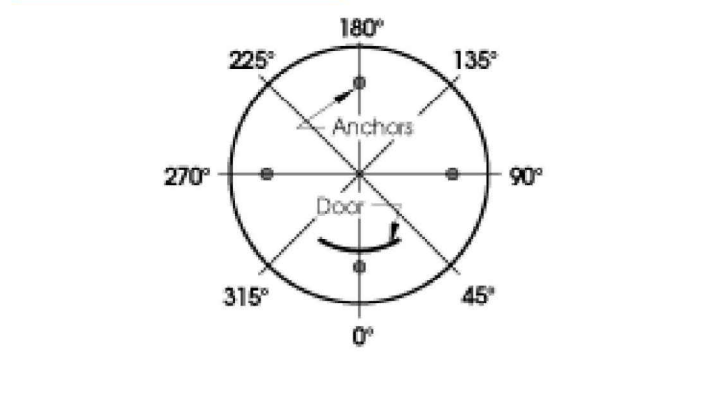


Description	Height/Width
Assembly Overall Height	17'-8.06"
Luminaire Mounting Height	14'-8"
Pole Height	14'-0"
Pole Shaft OD At Top	0'-5"
Pole Shaft OD At Bottom	0'-5"
Pole Base Height	3'-11"
Pole Base Width	1'-4"

**Windload**

Passed Wind Speed: 100 mph  
 Windload Result: 37%  
 Evaluated per: AASHTO 2013

**Anchorage/Orientation Plan**

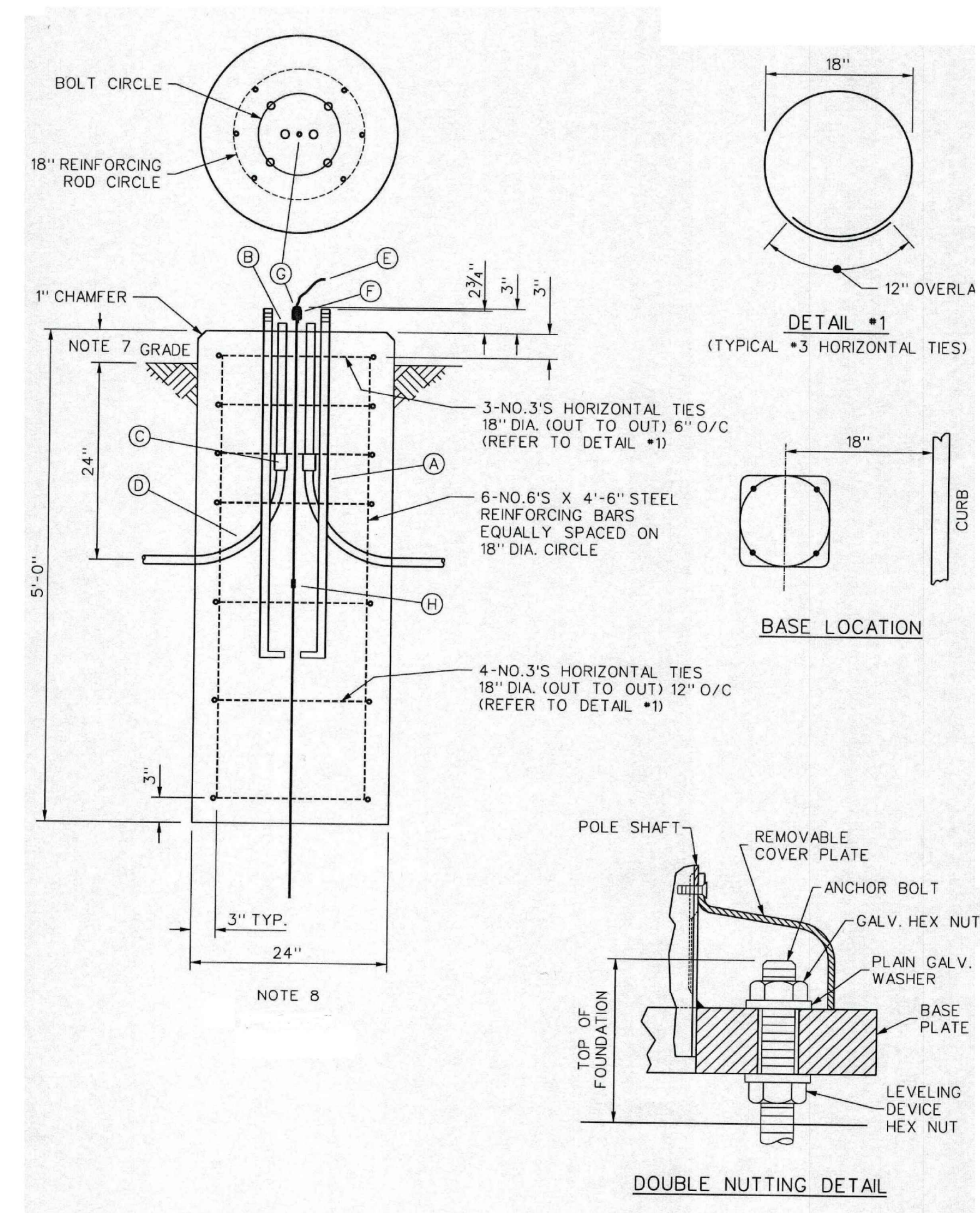


Note: Door = Hand Hole

**Ordering Information**

Qty	Catalog Number
2	GVD3 P30 40K MVOLT MS GL5 BK ST TBK PR7 AO PCLL L20
1	PCP 18IN 2A TN BK
1	HLA 14 F5J 16D C05 BK
1	AB-31-4
1	TMP-81

**LIGHT POLE ASSEMBLY (LPA), CROSS BRACKET (CB) & ACORN LUMINAIRE L(57W)**  
N.T.S.



**LIGHT POLE ASSEMBLY FOUNDATION BASE DETAIL**  
N.T.S.

**FOUNDATION BASE DETAIL NOTES:**

- THIS FOUNDATION TO BE USED FOR HIGH LEVEL BOLT BASE LIGHT STANDARDS.
- CONCRETE SHALL HAVE A COMPRESSIVE STRENGTH,  $f_c = 3000$  PSI @ 28 DAYS AND SHALL BE AIR ENTRAINED, WITH A TOTAL AIR CONTENT, BY VOLUME OF 3 TO 6%. APPROXIMATELY 1/2 CUBIC YARD IS REQUIRED.
- REINFORCING STEEL SHALL BE DEFORMED AND MADE FROM INTERMEDIATE GRADE BILLET STEEL IN ACCORDANCE WITH THE LATEST REQUIREMENTS OF ASTM A615, GRADE 60 UNLESS OTHERWISE NOTED.
- FIELD WELDING OF REINFORCEMENT AND THE BENDING OF REINFORCEMENT EMBEDDED IN HARDENED CONCRETE SHALL NOT BE PERMITTED.
- CONCRETE SHALL BE PLACED MONOLITHICALLY, UNLESS CONSTRUCTION JOINTS HAVE BEEN APPROVED BY THE OWNER.
- ANCHOR BOLTS SHOULD BE SET PARALLEL TO THE CURB.
- RAISE FOUNDATION 36" ABOVE FINAL GRADE ON NON-PAVED AREAS.
- 24" DIAMETER AUGERED HOLE, FORM UP TO 36", ROUND OR SQUARE, DEPENDING ON THE CONDITIONS.
- FOUNDATION DIMENSIONS ARE MINIMUM FOR NORMAL CLASS 5 SOIL (MEDIUM-FIRM CLAY, LOOSE SAND AND GRAVEL, COMPACT COURSE SAND).
- ANCHOR BOLTS AND CONDUIT. EACH BOLT HAS ONE WASHER AND ONE NUT. DOUBLE NUTTING IS NOT PERMITTED ON DECORATIVE POLES.
- IF ONLY ONE CONDUIT IS USED, CAP OR PLUG THE OTHER.
- GROUND METAL STREET LIGHT POLES PER NEC BEFORE CONCRETE IS POURED. GROUND MUST MEGGER 25 OHMS OR LESS.



Corporate Office:  
 1800 Rt. 34, Suite 101  
 Wall, New Jersey 07719  
 732.312.9800  
 FPAengineers.com

New Jersey • New York • Pennsylvania • Georgia

**PROGRESS SET**  
**NOT FOR CONSTRUCTION**

AMIN H. GOMAA, PE  
 PROFESSIONAL ENGINEER, NJ LIC. NO. 24GE04842100

**RVE**  
 1901  
**REMINGTON & VERNICK ENGINEERS**  
 845 NORTH MAIN STREET  
 PLEASANTVILLE, NJ 08232  
 (609) 645-7110, FAX (609) 645-7076  
 WEB SITE ADDRESS : WWW.RVE.COM  
 Certification of Authorization: 24 GA 28053300  
 "ENGINEERING EXCELLENCE"

**PRELIMINARY**

PLANS WHICH DO NOT BEAR AN EMBOSSED SEAL ARE NOT VALID.

ALL DOCUMENTS PREPARED BY REMINGTON & VERNICK ENGINEERS AND AFFILIATES ARE INSTRUMENTS OF SERVICE IN RESPECT OF THE PROJECT. THEY ARE NOT INTENDED OR REPRESENTED TO BE SUITABLE FOR REUSE BY OWNER OR OTHERS ON EXTENSIONS OF THE PROJECT OR ON ANY OTHER PROJECT. ANY REUSE WITHOUT WRITTEN VERIFICATION OR ADAPTATION BY REMINGTON & VERNICK ENGINEERS AND AFFILIATES FOR THE SPECIFIC PURPOSE INTENDED WILL BE AT OWNERS SOLE RISK AND WITHOUT LIABILITY OR LEGAL EXPOSURE TO REMINGTON & VERNICK ENGINEERS AND AFFILIATES. AND OWNER SHALL INDEMNIFY AND HOLD HARMLESS REMINGTON & VERNICK ENGINEERS AND AFFILIATES FROM ALL CLAIMS, DAMAGES, LOSSES AND EXPENSES ARISING OUT OF OR RESULTING THEREFROM.

NO.	REVISION	DATE	BY

**LIGHTING GENERAL NOTES & LIGHT POLE ASSEMBLY DETAILS**

CITY OF ATLANTIC CITY  
 ATLANTIC AVENUE ROAD DIET - PHASE 2B  
 CITY OF ATLANTIC CITY  
 ATLANTIC COUNTY  
 NEW JERSEY

DRAWN BY	DESIGN BY	CHECKED BY	SCALE
AMP	AMP	AHG	AS NOTED
DATE:	6-3-2023	SHEET No.:	12 of 46
JOB No.:	01-02-U-016	E1.0	