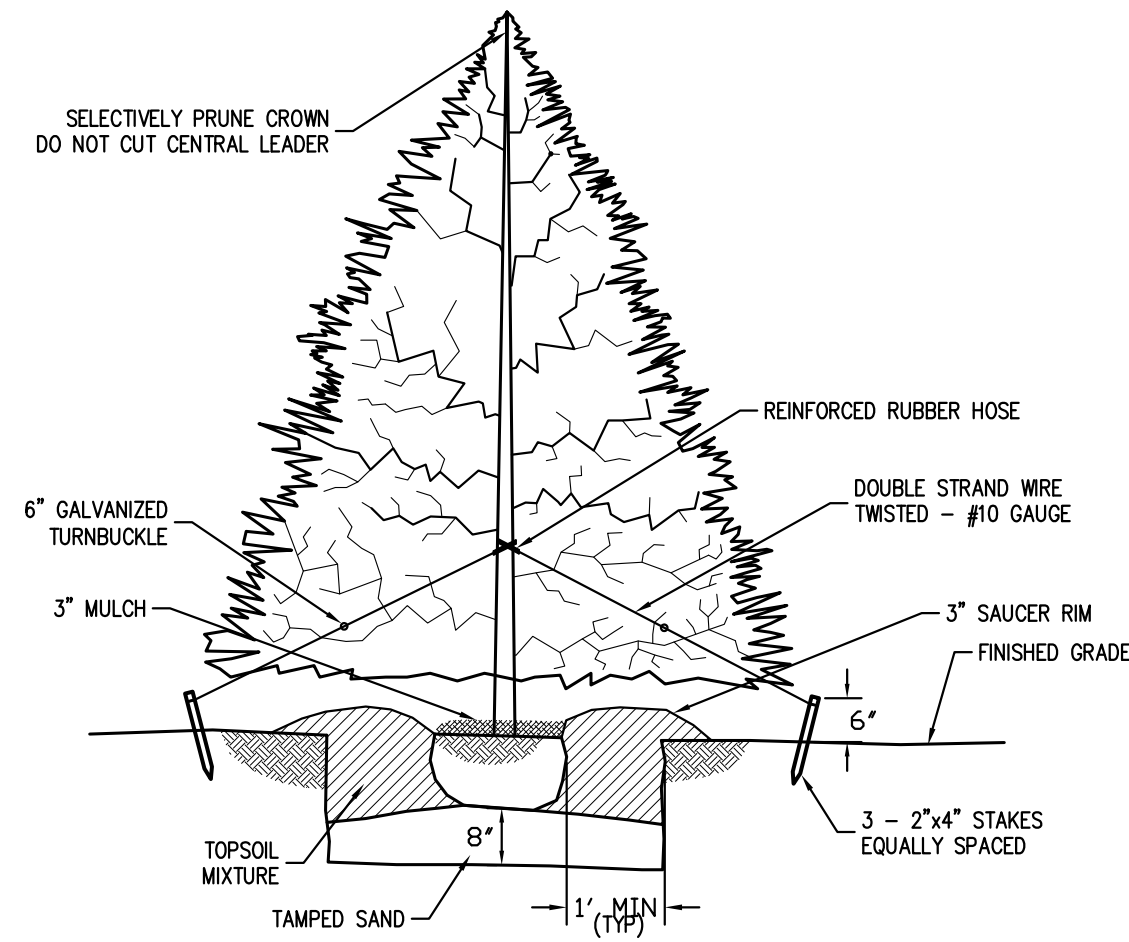


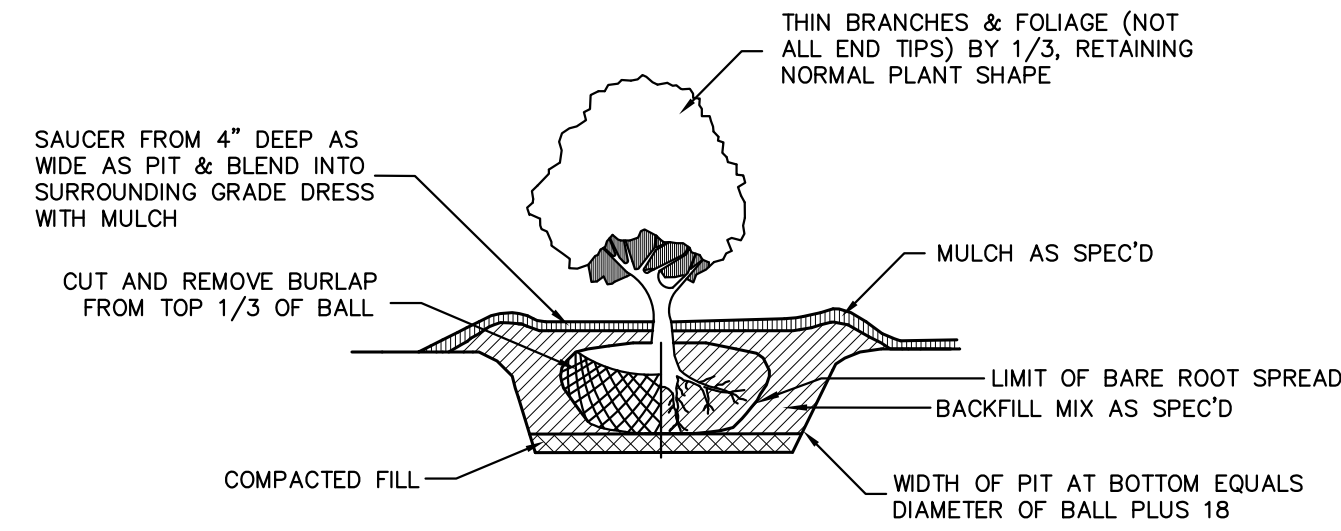
Typical Tree Planting Detail

Not to Scale



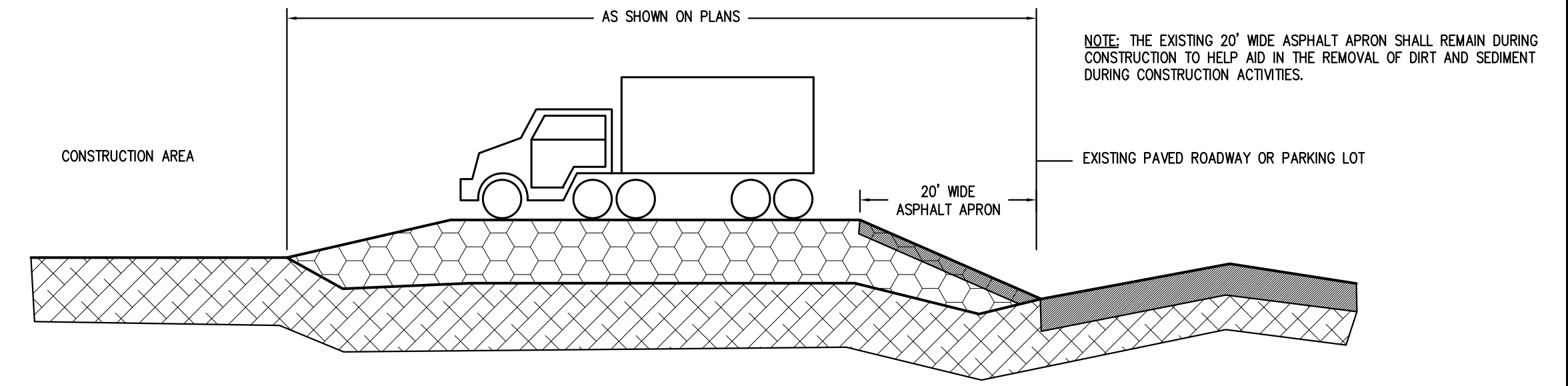
Typical Evergreen Planting Detail

NOT TO SCALE



Shrub Planting Detail

Not to Scale



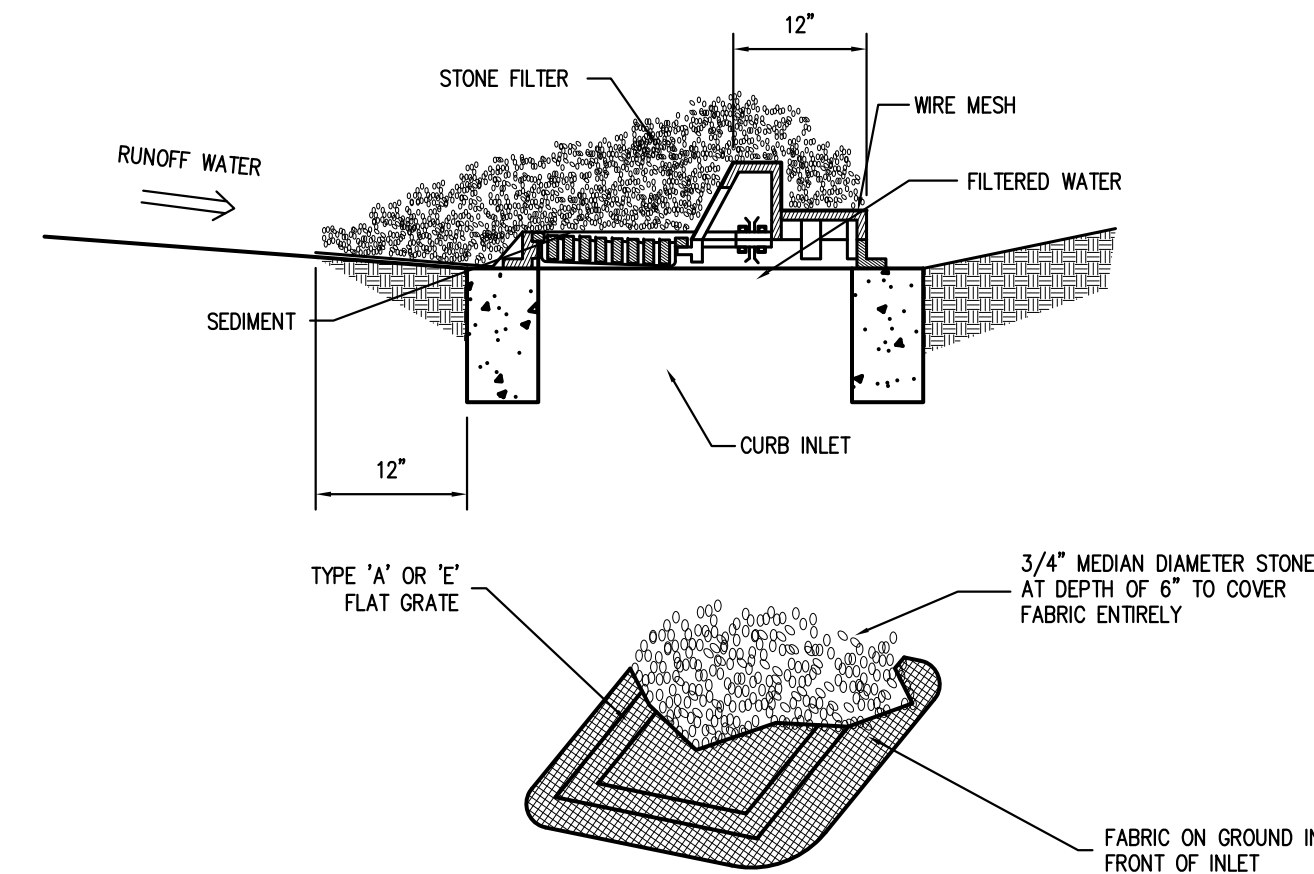
STABILIZED CONSTRUCTION ENTRANCE DETAIL

NOT TO SCALE

NOTE: STONE SIZE SHALL BE NO. 2 OR 3 CRUSHED STONE AS DETERMINED BY ASTM C-33
 NO. 2 STONE IS 1-1/2 TO 2-1/2 INCH STONE.
 NO. 3 STONE IS 1 TO 2 INCH STONE.
 THICKNESS SHALL BE NOT LESS THAN TWELVE (12) INCHES.

MAINTENANCE: THE ENTRANCE SHALL BE MAINTAINED IN A CONDITION WHICH WILL PREVENT TRACKING OR FLOWING OF SEDIMENT ONTO PUBLIC RIGHTS-OF-WAY. THIS MAY REQUIRE TOP DRESSING WITH ADDITIONAL STONE OR ADDITIONAL LENGTH AS NEEDED. ALL SEDIMENT SPILLED, DROPPED, WASHED, OR TRACKED ONTO PUBLIC RIGHTS-OF-WAY MUST BE REMOVED IMMEDIATELY.

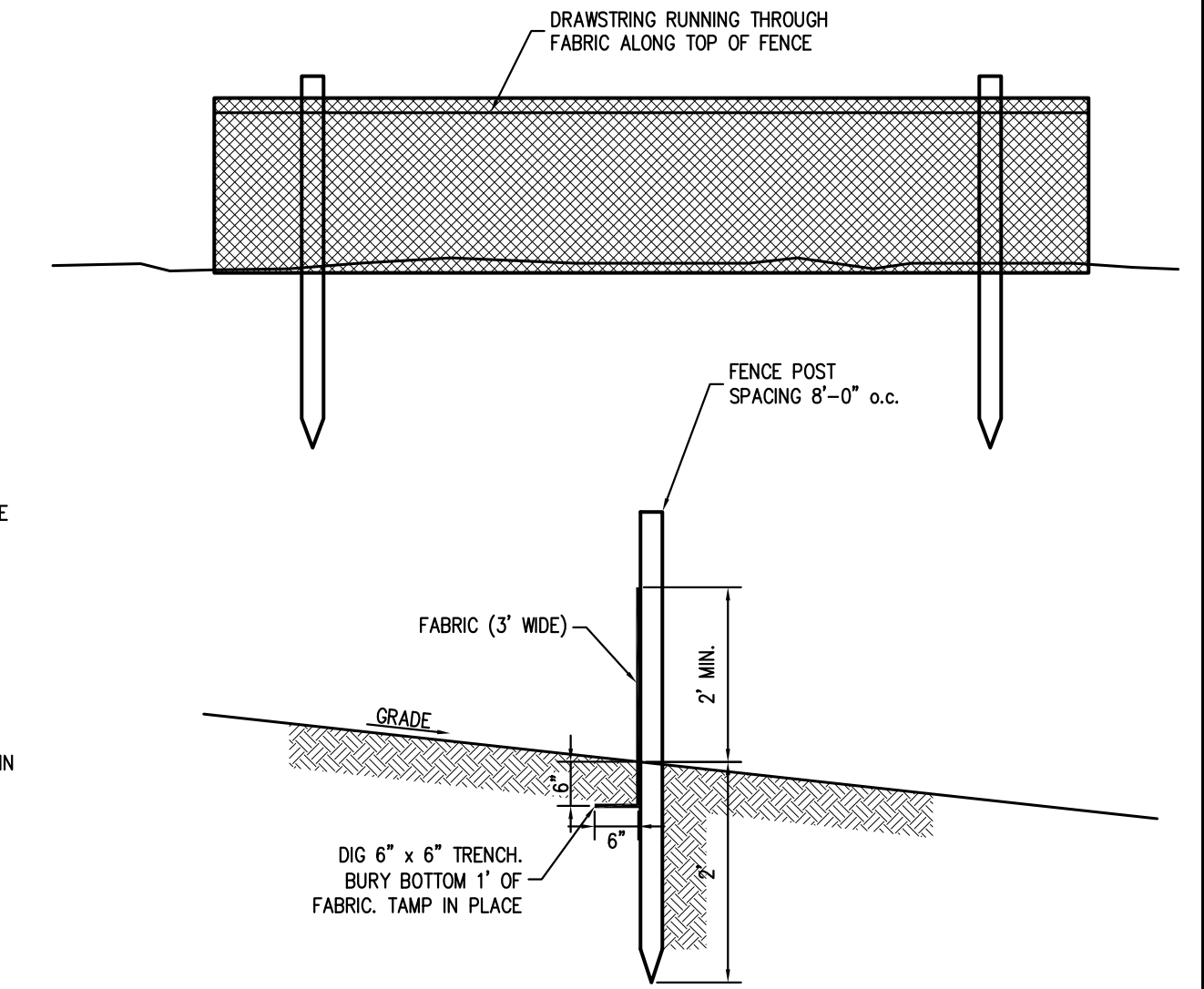
- GRAVEL CURB INLET SEDIMENT FILTER**
- A. HARDWARE CLOTH OR COMPARABLE WIRE MESH WITH 1/2 INCH OPENINGS SHALL BE PLACED OVER THE CURB INLET OPENINGS SO THAT AT LEAST 12 INCHES OF WIRE EXTENDS ACROSS THE CONCRETE GUTTER FROM THE INLET OPENING, AS ILLUSTRATED.
 - B. STONE SHALL BE PILED AGAINST THE WIRE SO AS TO ANCHOR IT AGAINST THE GUTTER AND INLET COVER AND TO COVER THE INLET OPENING COMPLETELY. TWO (2) TO THREE (3) INCH COARSE AGGREGATE SHALL BE USED.
 - C. IF THE STONE FILTER BECOMES CLOGGED WITH SEDIMENT SO THAT IT NO LONGER ADEQUATELY PERFORMS ITS FUNCTION, THE STONE MUST BE PULLED AWAY FROM THE INLET, CLEANED AND REPLACED.



INLET PROTECTION

NOT TO SCALE

SPECIFIC APPLICATION
 THIS METHOD OF INLET PROTECTION IS APPLICABLE AT CURB INLETS WHERE PONDING IN FRONT OF THE STRUCTURE IS NOT LIKELY TO CAUSE INCONVENIENCE OR DAMAGE TO ADJACENT STRUCTURES AND UNPROTECTED AREAS.



SILT FENCE DETAIL

NOT TO SCALE

- Construction Sequence**
1. Place stabilized construction entrance, install silt fence and other temporary soil erosion and sediment control measures.
 2. Clear and rough grade.
 3. Excavate basin.
 4. Line basin with filter fabric.
 5. Install underground utilities.
 6. Remove any accumulated sediment from basin.
 7. Establish permanent seeding on basin.
 8. Install base course paving.
 9. Construct homes.
 10. Establish permanent seeding and landscape.
 11. Remove temporary soil erosion and sediment control measures when permanent stabilization has been established.

New Jersey State Board of Professional Engineers and Land Surveyors Professional Engineer License No. 41933 Charles E. Endicott	Date Revision Date
Designed: CEE Drawn: STAFF Checked: CEE Approved: CEE	Date
Endicott Engineering 319 E. Jimmie Leeds Road, Suite 701 Gallaway, NJ 08205 Phone (609) 652-8350 Fax (609) 652-8359 e-mail: office@endicottengineering.com www.endicottengineering.com	
City of Atlantic City, Atlantic County, New Jersey Application for Preliminary & Final Major Site Plan Approval for JTD Realty Group, Inc. Block 336, Lots 2-23 - 2231, Arctic Avenue Construction Details II	
Scale: As Noted Sheet Name: C9 EE Dwg No.: EE-3421-CD	Date: 03-24-15 Job No.: 5414.047
10 Sheet No. Total Sheets 10	